

rontronic industrial

Fully Rugged 15.6" Laptop



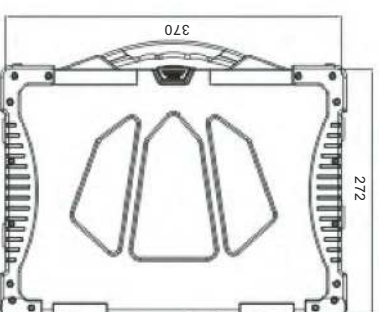
Features

- 15.6" FHD 1920*1080 display
- Quantum dot display, sunlight readable
- Intel® Core™ i7-4712HQ 2.3GHz processor
- Built-in NVIDIA® GTX950M video card
- Meet MIL-STD-810G, MIL-STD-461F and IP65
- 4G/WiLAN/Buiscam/GPS/Fingerprint/ Webcam
- Lot of LAN/USB/COM/Diag/PCard slot

Specifications

CPU	Intel® Core™ i7-4712HQ 2.3GHz(Max 3.3GHz) Quad-core 8 threads	Audio and video	High-definition audio processor 2 x built-in speaker 1 x built-in microphone
Chipset	Intel® QM87	Web Camera	2.0 MP 802.11a/b/g (or 4G) Communication
Memory	Onboard 4GB DDR3 memory, expandable up to 12GB	LAN	10/100/1000M
Display screen	Quantum-dot screen, resolution 1920 x 1080	WWAN	Supports 4G (or WiLAN)
Display card	Support Intel HD Graphics 4600 integrated display technology	Serial positioning	GPS (optional)
Storage	Support expansion of NVIDIA GTX950M 2G GDDR5 video card	TPM	optional
IO port	1 x mSATA expandable to the second storage 10 port1 x VGA port 2 x RJ45 LAN port 2 x USB3.0 port 2 x Serial port/Support RS-232C/422/485 switched by BIOS, default RS-232C	Power adapter	Input AC110 ~240V, output DC19V@90W
Expansion card slot	1 x Mini PCI audio input port 1 x Mini PCI audio output port 1 x Mini PCI LAN port 1 x Express Card slot 1 x SD Card reader slot 1 x SIM Card slot	Battery	DC power adapter: Input DC9 ~32V, output DC19V (optional) 8400mAh intelligent Lithion battery, expandable to 2nd Battery Pack 8000mAh
Multi-function expansion slot	The optical drive bay can be expanded to one of the following options: • Optical drive • Optical drive or a second HDD module • PCI-E x1 device • USB port or USB function device • Support expansion port on the bottom, docking station can be attached Special plastic keyboard for laptop computer, with left/right-key touch pad/mouse Optional silicon keyboard (with blue backlight)	Heat dissipation	DC power adapter fan design, heat dissipation by sealed metal chassis
Keyboard		Dimensions	53.4mm(H)*370mm(W)*272mm(D) About 6kg

Dimensions



Unit:mm

Reliability

Environment parameters	Operating temperature: -20~55 °C (power adapter supply, wide temperature storage); -0~50 °C (power adapter supply, normal storage) 0~50 °C (battery supply) Storage temperature: -40~70 °C Humidity: 5% ~ 95% non-condensing Meets MIL-STD-810G GJB307A-2001 GJB322A-89 GJB150A	Drop	Meets MIL-STD-810G GJB367A-2001 GJB322A-89 GJB150A 4-heel (121cm) free fall Meets MIL-STD-810G GJB367A-2001 GJB322A-89 GJB150A, IP65
Shock	Meets MIL-STD-810G GJB307A-2001 GJB322A-89 GJB150A Meets GJB307A-2001/GJB322A-89 sine vibration test Power-on status: XYZ three-axis, 5Hz-2000Hz/1.0g (optional 1.5g) Power-off status: Half Sine wave, 50G, 11ms Frequency: 23 ~ 52Hz, amplitude 0.44mm Frequency: 52 ~ 2000Hz, acceleration 5G Pneumatic shock: XYZ three-axis, 5-500Hz, 1.9G Gms Power-off status: XYZ three-axis, 20-2000Hz, 7.7G Gms	EMC	Meets MIL-STD-461F/GJB-1517A kind force level/ test requirements
Vibration	Power-on status: XYZ three-axis, 5Hz-2000Hz/1.0g (optional 1.5g) Power-off status: Half Sine wave, 50G, 11ms Frequency: 23 ~ 52Hz, amplitude 0.44mm Frequency: 52 ~ 2000Hz, acceleration 5G Pneumatic shock: XYZ three-axis, 5-500Hz, 1.9G Gms Power-off status: XYZ three-axis, 20-2000Hz, 7.7G Gms		

Ordering Information

Part Number	Model Number	Description
0010-088091T	JNB-1502-A	Intel Core i7-4712HQ 2.3GHz/Onboard 4GB DDR3/50G HDD/15.6 sunlight readable screen/NVIDIA GTX950M/DVD-RW/WLAN/Buiscam/Fingerprint/Identification/2 DMP Webcam/9400mAh main battery/Plastic keyboard/Military adapter
0010-091661	JNB-1502-B	Intel Core i7-4712HQ 2.3GHz/Onboard 4GB DDR3/128GB wide temperature SSD/15.6 sunlight readable screen/DVD-RW/WLAN/Buiscam/Fingerprint/Identification/9400mAh main battery/Plastic keyboard/Military adapter

The images are for reference only, and all product specifications are subject to change without notice.

The images are for reference only, and all product specifications are subject to change without notice.