

10.4" Low-power Fanless Panel PC with Touch Screen/3COM/LAN/ 2USB



Features

- 10.4" LED backlight TFT LCD, touch screen available
- Fanless design; aluminum chassis serves as heat sink
- The motherboard and IO board are connected by pinhole stack
- Front panel up to IP65 protection grade
- EMC immunity up to level 3
- Wide temperature, high stability, high reliability
- Supports 3 x COM, 2 x USB, 1 x LAN, 1 x PS/2
- Supports VESA Mount standard

Specifications

Display Features

Display Screen	10.4" high brightness TFT LCD
Display Chipset	AMD LX800 integrated graphics controller
Resolution	800x600
Brightness	400cd/m2
Contrast Ratio	700:1
Touch Screen	Touch screen with USB port

System

SBC Model	104-1645CLDN
Processor	AMD LX800 CPU
Chipset	AMD Geode CS5536
Memory	Onboard 256MB DDR memory
Storage	Standard 4G CF card

Ethernet

Chipset	RTL-8139DL-LF
Speed	10/100Mbps
Connector	1 x RJ45

I/O Interface

USB	2 x USB 2.0 port
Serial Port	3 x RS232
KB/MS	1 x PS/2

Mechanical and Environmental

Dimensions	270mm (W) x 215 mm (H) x 49.4 mm (D)
IP Level(front panel)	IP65
Reliability	MTBF ≥ 50000h; MTTR ≤ 0.5h
Safety	GB4943
Operating Temperature	-30°C~60°C
Storage Temperature	-40°C~85°C
Operating Humidity	5%~95% (non-condensing)

Power

Power Supply	16V-32V DC input
Power Consumption	14.2W(Standby), 15.5W (Burnintest V5.3 100%)

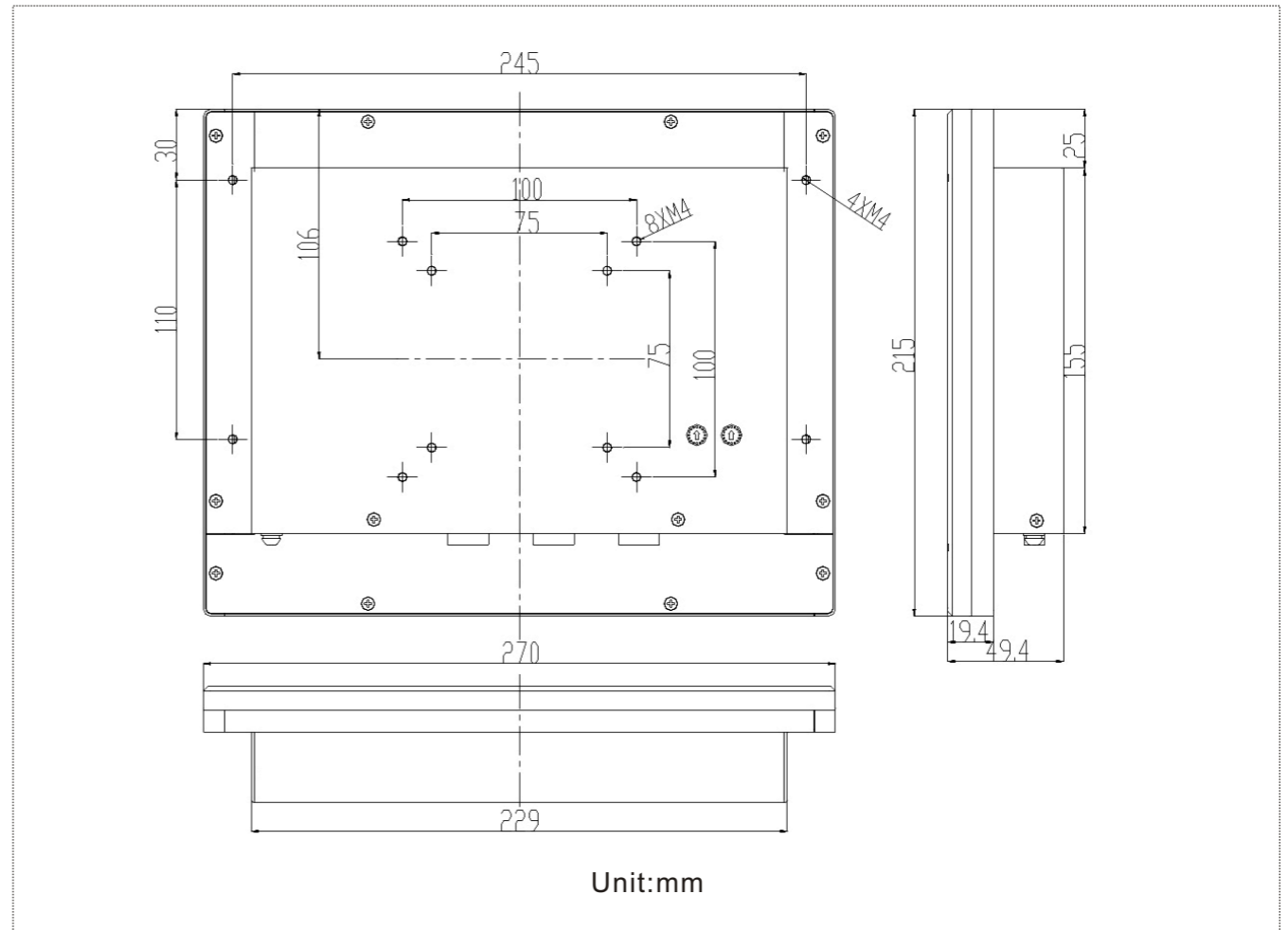
Operating System

Windows OS	Windows XP
Embedded OS	Linux/XP Embedded/Wince

Test

Vibration	17 ~ 200Hz/1.0g
Shock	10g, 11ms
EMC/EMI	GB9254-1998 class 3

Dimensions



Unit:mm

Ordering Information

Part Number	Model Number	Description
0010-038771	PPC-1005	10.4" LCD Panel PC /AMD LX800/256MB/ /3 x COM/2 x USB/1 x VGA/1 x 4G CF Card/Touch screen/16V~32V DC input /Fanless/RoHS
1100-001700	Power adapter	20w/Fsp120-AAB

▪ 31 (0)624519198 ▪ info@rontronic.nl ▪ www.rontronic.nl