

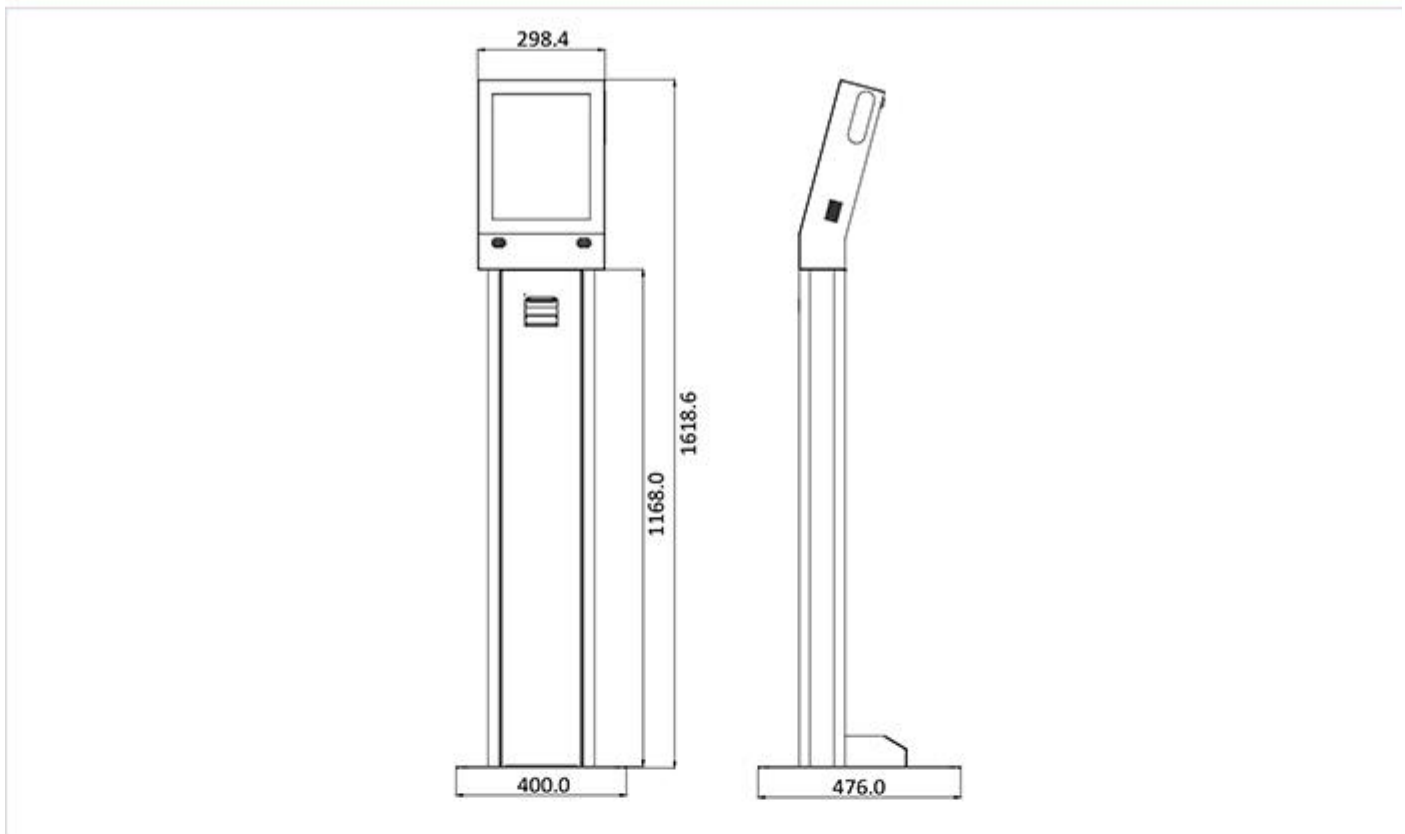
Processor System	CPU (Socket FCLGA1155)	Intel® i7-3770S	Intel® i5-3470S	Intel® I3-2120	Intel® Celeron® G1620
	Frequency	3.1GHz	2.9GHz	3.3GHz	2.7GHz
	L3 Cache	8M			
	Main Board	PC67H			
	System Chipset	Intel® BD82H77 FCBGA942			
Memory	BIOS	AMI 64-Mbit SPI Flash BIOS			
	Technology	DDR3 1333/1600 MHz			
	Max. Capacity	16 GB			
Internal Display 18.5" (LED Backlight)	Socket	2 x 240-pin DIMM			
	Panel Size	18.5"			
	Resolution	1366x768			
	Viewing Angle	Horizontal: 85 / Vertical: 80 degree			
	Brightness	250 cd/m ²			
	Color Support	16.7M			
	Contrast Ratio	1000			
Internal Display 21.5" (LED Backlight)	Response Time	5 ms (Rising: 3.6 ms / Falling: 1.4 ms)			
	Panel Size	21.5"			
	Resolution	1920x1080			
	Viewing Angle	Horizontal: 89 / Vertical: 89 degree			
	Brightness	250 cd/m ²			
	Color Support	16.7M			
	Contrast Ratio	3000			
Internal Display 24.0" (LED Backlight)	Response Time	25 ms			
	Panel Size	24.0"			
	Resolution	1920x1080			
	Viewing Angle	Horizontal: 89 / Vertical: 89 degree			
	Brightness	250 cd/m ²			
	Color Support	16.7M			
External Display	Contrast Ratio	3000			
	Response Time	12 ms (Rising: 7 ms / Falling: 5 ms)			
	Digital Display	1920x1200, Max. data rate up to 1.65 Gb/s			
	CRT	Max. resolution up to 2048 x 1536 true color			
Touchscreen 18.5/21.5/24.1"	Touchscreen Type	Projected Capacitive			
	Surface Hardness	7H Pencil, Pressure 0.5N/45°			
	Transparency	90% (±2%)			
I/O Interface	USB	USB 3.0 x 2; USB 2.0 x 6			
	Serial Port	COM 1: RS-232; COM 2: Default RS-232 (Optional: RS-422/485)			
	ESATA	ESATA x 2			
Ethernet	Speed	10/100/1000 Mbps			
	Controller	Realtek RTL8111E-VC-CG			
Audio	Connector	RJ45 x 1			
	Chipset	Realtek ALC662-			



	Speaker	GR
Storage	HDD	Internal: Speaker 8Ω/2W x2; External: Speaker out x1 , Mic in x1
	DVD	Supports one 2.5" SATA HDD
Card Read	YD-8V74	Supports one Slim DVD
		5.25" Media Card reader Read Only
Scanner (Optional)	IS3480	1D omni-direction (Optional)
Printer	NP-K3052D	3" (80mm)
		Auto Loading function Paper near-end detection
Power	Power Type	ATX 1U 180W
	Power Input	AC 100~240V @50~60Hz
	Battery	Lithium 3 V / 220 mAH

▪ 31 (0)624519198 ▪ info@rontronic.nl ▪ www.rontronic.nl

Dimensions



Building Access Control

Option



Wifi



1D/2D
Bar Code
Scanner



GPRS/3G



IC Card /
MSR



IP65



RFID/Mifare



Motion
Sensor



2"/"3"
Thermal
Printer