

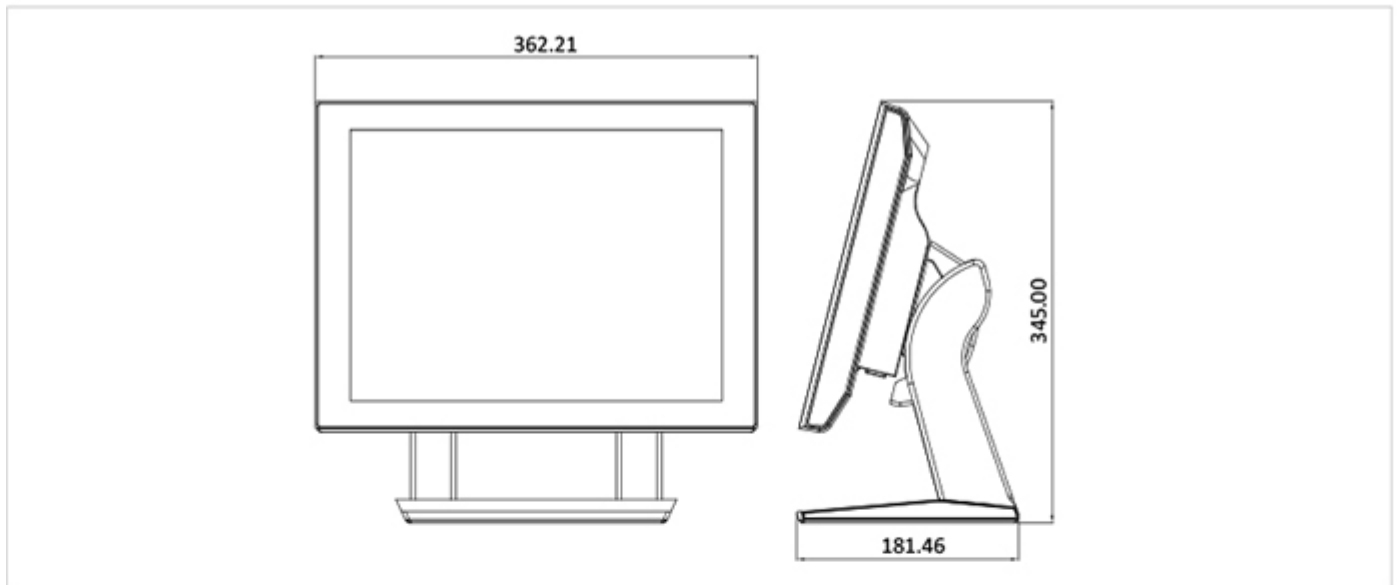
Processor System	CPU FCBGA559 (on Board)	Atom D2550	ARM Cortex-A9 4 cores Processor
	Frequency	1.86GHz	1.1 GHz
	L3 Cache	1 MB	512 KB
	Main Board	PC25N	AR 100
	System Chipset	Intel® Cedarviewl & NM10	
Memory	BIOS	AMI 16-Mbit SPI Flash BIOS	
	Technology	DDR3 800/1066 MHz	DDR3 1066 MHz
	Max. Capacity	2 GB	1 GB
Internal Display 15"	Socket	1 x 204-pin SO DIMM	On Board
	Panel Size	15.0"	
	Resolution	1024x768	
	Viewing Angle	Horizontal : 80 / Vertical : 70 degree	
	Brightness	250 cd/m ²	
	Color Support	16194277/262144 Color	
	Contrast Ratio	700	
External Display	Response Time	16ms (Rising : 5 ms / Falling : 11 ms)	
	Digital Display	1920 x 1200, Max. data rate up to 1.65 Gb/s	
Touchscreen 15"	CRT	Max. resolution up to 1920x1200 true color	N/A
	Touchscreen Type	5 Wire Resistive	
	Surface Hardness	3H	
	Durability	10000000 times	
I/O Interface	Transparency	78% (±2%)	
	USB	USB 2.0 x 2	
Ethernet	Serial Port	COM 1 : RS-232 COM2 : Default RS-232(Optional: RS-422/485)	
	Speed	10/100/1000 Mbps	10/100 Mbps
	Controller	Realtek RTL8111E-VC-CG	SMSC LAN8720
Audio	Connector	RJ45 x 1	1 RJ45 Connector
	Chipset	Realtek ALC662-GR	
Storage	Speaker	Internal : Speaker 8Ω/2W x2 External : Speaker out x1 , Mic in x1	
	HDD	Supports one 2.5" SATA HDD	SD 3.0 Socket NAND Flash 4GB
MSR (Optional)	MSR220HKI)	Reference Standards : ISO 7810 ,7811	
		Recording Method : Two-frequency coherent phase (F2F)	
VFD (Optional)	LD220	Decoding Method : ISO : Ttack1-IATA , Track2-ABA ,Track3-THRIFT	
		Card Swiping Direction : Bi-Direction	
		Display Pattern : 5x7 Dot Matrix	
Panel Size	LD220	Brightness :350~700 cd/m ²	
		Character Number : 20x2	
		RS232 interface, baud rates 9600/19200	
		10.4"	



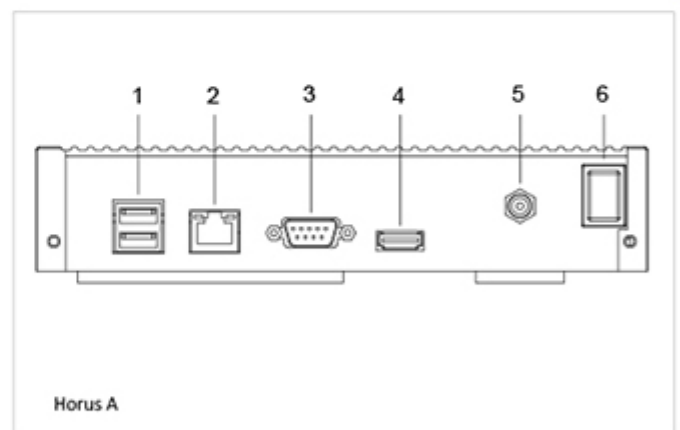
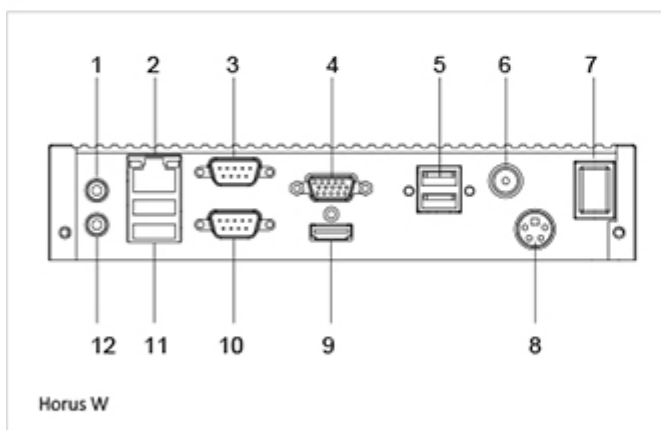
2nd Displa (Optional) 10.4"	Resolution	800x600	
	Viewing Angle	Right : 65 / Left : 65 / Up : 45 / Down : 575 degree	
	Brightness	250 cd/m ²	
	Color Support	262144 Color	
	Contrast Ratio	400	
2nd Display (Optional) 15"	Response Tim	25 ms (Rise : 6 ms / Delay : 19 ms)	
	Panel Size	15.0"	
	Resolution	1024x768	
	Viewing Angle	Right : 80 / Left : 80 / Upper : 80 / Lower : 80 degree	
	Brightness	250 cd/m ²	
	Color Support	16777216 color	
	Contrast Ratio	600	
Power	Response Tim	8 ms (On : 2 ms / Off : 6ms)	
	Power Type	19V/65W Power adapter FSP065- REB	12V/36W Power adapter EXA1108YB
	Power Input	DC 19V	DC 12V
OS Support O	Battery	Lithium 3 V / 220 mAH	Lithium 3 V / 220 mAH
		Mircosoft Windows	Android 4.0

▪ [31 \(0\)624519198](tel:3120624519198) ▪ info@rontronic.nl ▪ www.rontronic.nl

Dimensions



Fully-Integrated I/O



- | | |
|----------------|--------------------|
| 1. Speaker out | 7. Power Button |
| 2. LAN | 8. DC out |
| 3. COM 2 | 9. Digital Display |
| 4. VGA | 10. COM 1 |
| 5. USB 2.0 x2 | 11. USB 2.0 x2 |
| 6. DC in | 12. MIC in |

- | |
|--------------------|
| 1. USB 2.0x2 |
| 2. LAN |
| 3. COM 1 |
| 4. Digital Display |
| 5. DC in |
| 6. Power button |

Option



Wifi



IC Card /
MSR



RFID/Mifare



2nd Display



VFD



3" Thermal
Printer